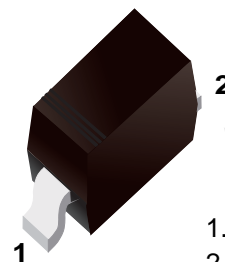


## Schottky Barrier Diodes

### ■ Features

- Guard ring protection
- Low forward voltage drop
- For use in low voltage, high frequency inverters
- High surge current capability



1.Cathode  
2.Anode

### ■ Simplified outline(SOD-323)

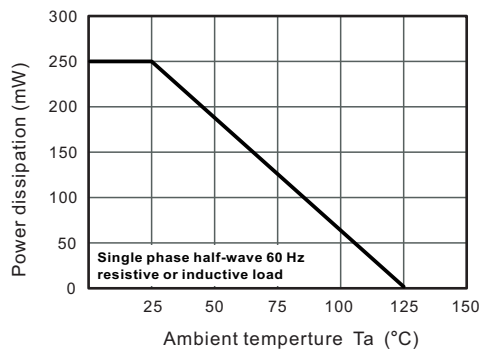
Top View 

### ■ Maximum Ratings and Electrical characteristics

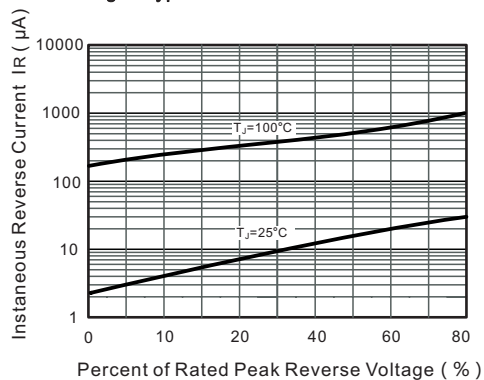
Ratings at 25 °C ambient temperature unless otherwise specified.

Parameter	Symbols	B16WS	Units
Maximum recurrent peak reverse voltage	$V_{RRM}$	60	V
Maximum RMS voltage	$V_{RMS}$	42	V
Maximum DC blocking voltage	$V_{DC}$	60	V
Continuous forward current	$I_F$	1	A
Maximum DC Reverse Current at Rated DC Blocking Voltage	$I_R$	0.1 @VR=60V	mA
Peak Forward Surge Current, 8.3ms single half sine-wave superimposed on rated load (JEDEC method)	$I_{FSM}$	10	A
Maximum Instantaneous Forward Voltage	$V_F$	0.7 @ IF=1.0A	V
Total capacitance VR=4V,f=1MHz	$C_{tot}$	120	pF
Total power dissipation	$P_{tot}$	250	mW
Thermal Resistance, Junction to Ambient Air	$R_{\theta JA}$	400	°C/W
Junction Temperature	$T_j$	125	°C
Storage Temperature	$T_{stg}$	-55 ~ +150	°C

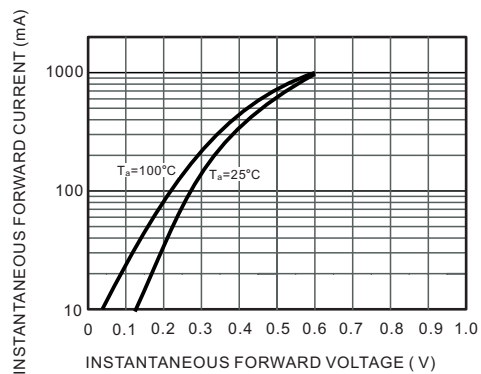
**Fig.1 Power Derating Curve**



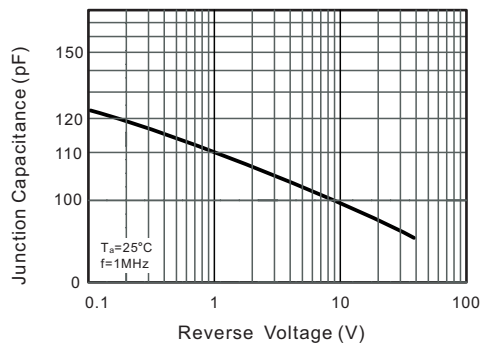
**Fig.2 Typical Reverse Characteristics**



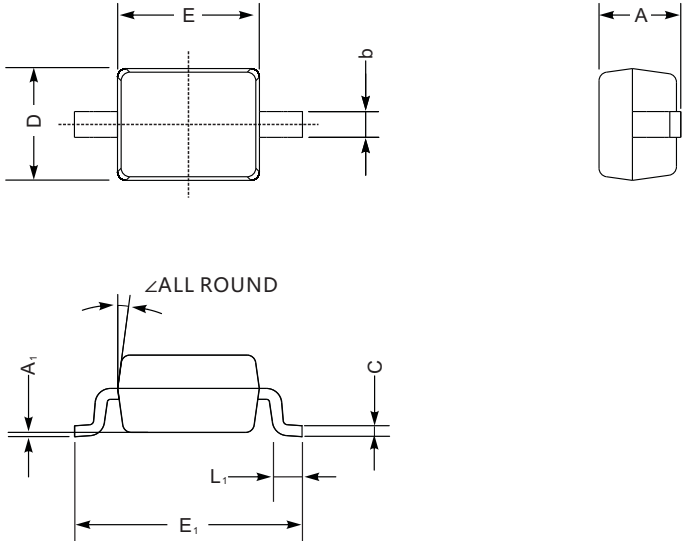
**Fig.3 TYPICAL FORWARD VOLTAGE**



**Fig.4 Typical Junction Capacitance**



■ SOD-323



SOD-323 mechanical data

UNIT		A	C	D	E	E <sub>1</sub>	b	L <sub>1</sub>	A <sub>1</sub>	∠
mm	max	1.1	0.15	1.4	1.8	2.75	0.4	0.45	0.2	9°
	min	0.8	0.08	1.2	1.4	2.55	0.25	0.2	—	
mil	max	43	5.9	55	70	108	16	16	8	
	min	32	3.1	47	63	100	9.8	7.9	—	

■ The recommended mounting pad size

